



# QuARTz by ACO Specification Sheet

**ACO Polycrete Pty Ltd**  
1300 765 226  
sales@acoaus.com.au

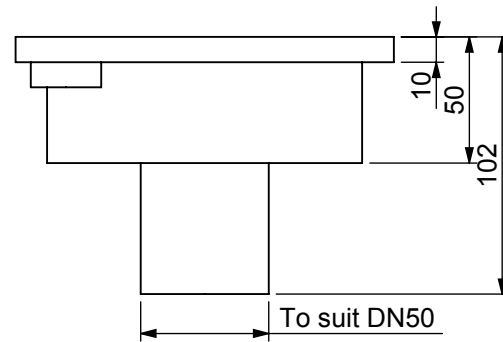
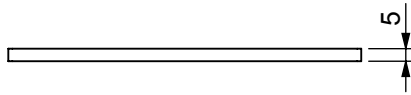
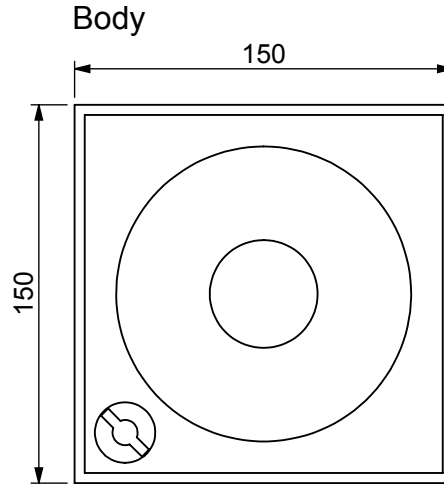
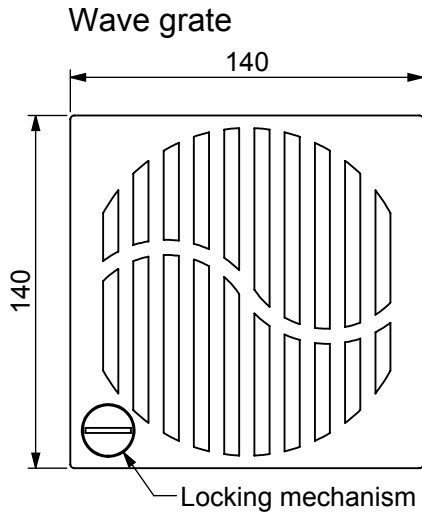
DRG #: SP-W-50-02

www.quartzbyaco.com.au  
www.quartzbyaco.co.nz

## ShowerPoint - Wave grate

**ACO Limited**  
0800 448 080  
sales@aconz.co.nz

QuARTz by ACO



Grate weight (kg)	0.67
Body weight (kg)	0.15

# All dimensions are in millimeters

### Specification Clause

The QuARTz by ACO, ShowerPoint shall come complete with a stainless steel, grade 304 Wave grate and fitted frame with an electropolished surface finish.

Grate shall be square - 140mm x 140mm and frame 150mm x 150mm. The outlet is to suit a DN50 pipe.

Grates shall be fastened with boltless mechanisms.

The system shall be manufactured and supplied by ACO Polycrete Pty Ltd and installed in accordance with ACO's guidelines.

Installers must check local plumbing codes and seek professional advice prior to installation.