



QuARTz by ACO Specification Sheet

ACO Polycrete Pty Ltd
1300 765 226
sales@acoaus.com.au

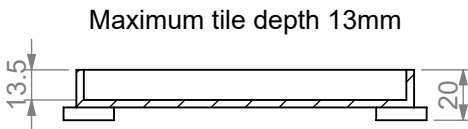
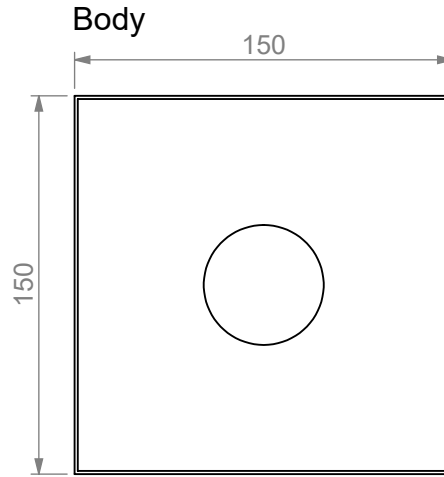
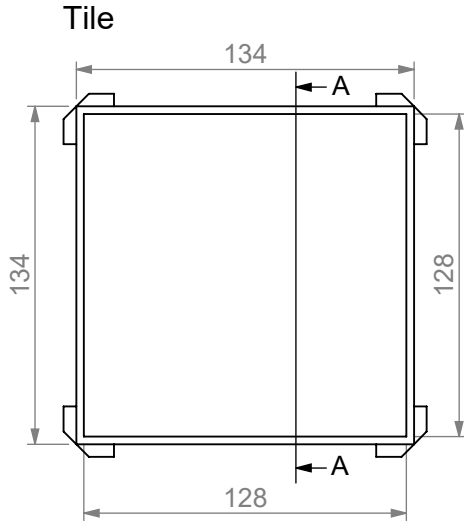
DRG #: SP-T-50-01

www.quartzbyaco.com.au
www.quartzbyaco.co.nz

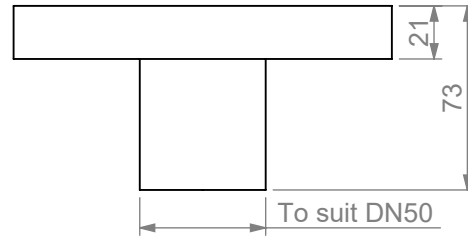
ShowerPoint - Tile grate

ACO Limited
0800 448 080
sales@aconz.co.nz

QuARTz by ACO



Section A-A



Grate weight (kg)	0.28
Body weight (kg)	0.5

All dimensions are in millimeters

Specification Clause

The QuARTz by ACO, ShowerPoint shall come complete with a stainless steel, grade 304 Tile grate with an electropolished surface finish.

Grate shall be square - 144mm x 144mm. The outlet is to suit a DN50 pipe.

The system shall be manufactured and supplied by ACO Polycrete Pty Ltd and installed in accordance with ACO's guidelines.

Installers must check local plumbing codes and seek professional advice prior to installation.