



# INSTALLATION DRAWING

**ACO Polycrete Pty Ltd**  
1300 765 226  
sales@acoaus.com.au

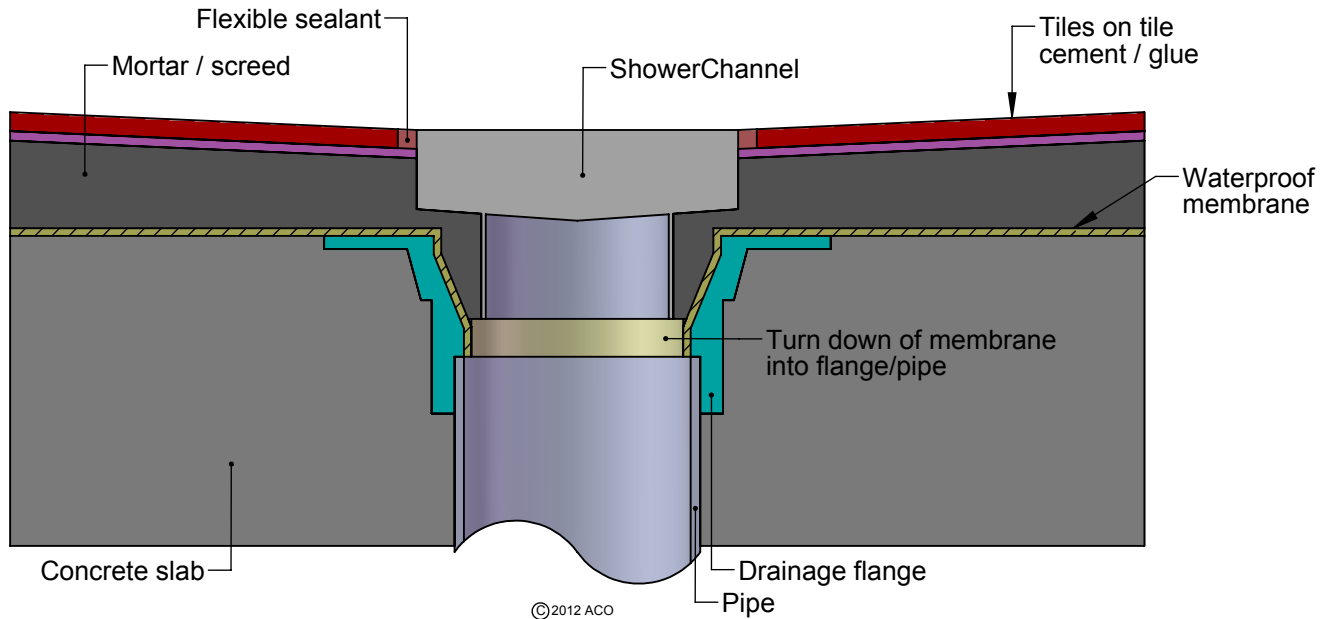
DRG #: XCH-CB-01-2

## ShowerChannel - Concrete slab - membrane below screed (standard)

**ACO Limited**  
0800 448 080  
sales@aconz.co.nz

www.quartzbyaco.com.au  
www.quartzbyaco.co.nz

QuARTZ by ACO



### NOTES:

1.. These details only provide a practical reference. ACO recommends designers and installers check local legislative standards and practices, or seek specialised engineering advice.

### Specification Clause

The QuARTz by ACO, ShowerChannel complete with "grate type"\* grate shall be stainless steel, grade 304 with electropolished surface.

Grate shall be 78mm wide. Channel shall be 84mm wide. The length is as specified, on designers plans/specifications.

The system shall be manufactured and supplied by ACO Polycrete Ptd Ltd and installed in accordance with ACO's guidelines.

Installers must check local plumbing codes and seek professional advice prior to installation.

\* Insert grate type.